

## Ribbed panels / Cretan

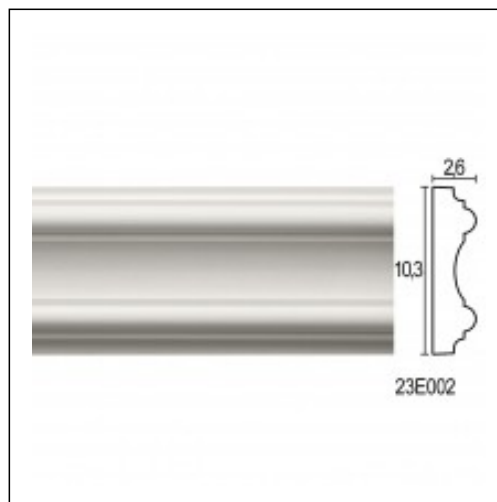
Cat.No. 23.E.002

Dado

**Length:** 150 cm.

**Depth:** 2.6 cm.

**Height:** 10.3 cm.



## RELATIVE PRODUCT PHOTOS

