

Porticos / Egg 8cm

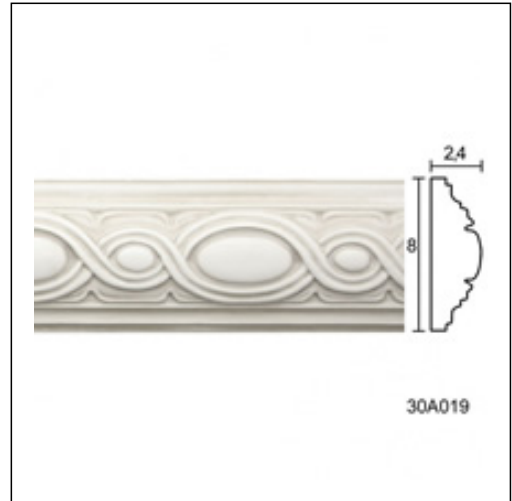
Cat.No. 30.A.019

Glyphic Panel Moulding

Length: 150 cm.

Depth: 2.4 cm.

Height: 8 cm.



RELATIVE PRODUCT PHOTOS

