

## Linear Hidden Lighting / Bethanis

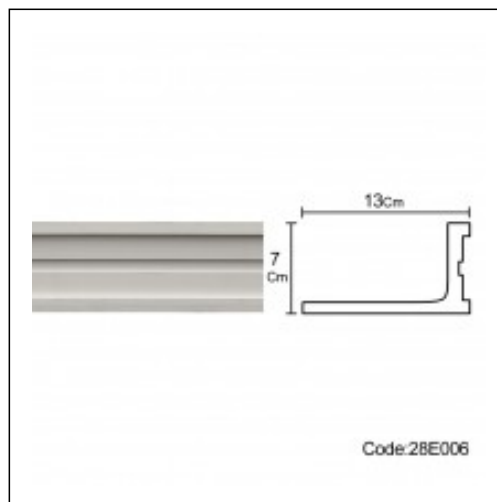
Cat.No. 28.E.006

Linear hidden lighting

**Length:** 225 cm.

**Depth:** 7 cm.

**Height:** 13 cm.



### RELATIVE PRODUCT PHOTOS

