

## Panneaux / National Theater

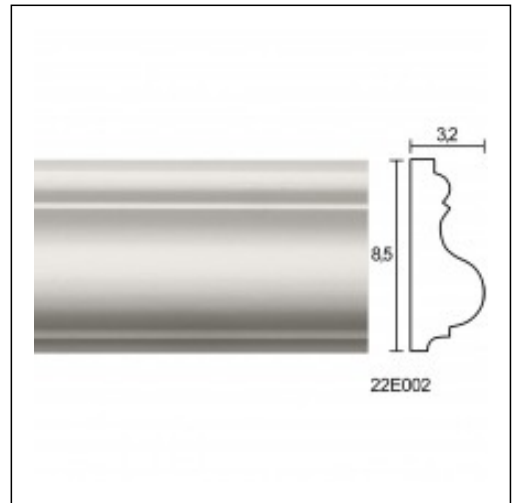
Cat.No. 22.E.002

Linear Panneaux

**Length:** 150 cm.

**Depth:** 3.2 cm.

**Height:** 8.5 cm.



## RELATIVE PRODUCT PHOTOS

