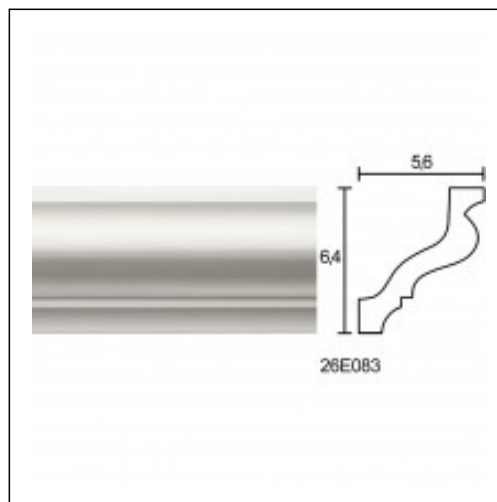


## Large Linear Cornices / Felizol A1

Cat.No. 26.E.083

Large Linear Cornices

**Width:** 100 cm.



### RELATIVE PRODUCT PHOTOS

