

## Large Linear Cornices / Socket for Composition of Feather Edge

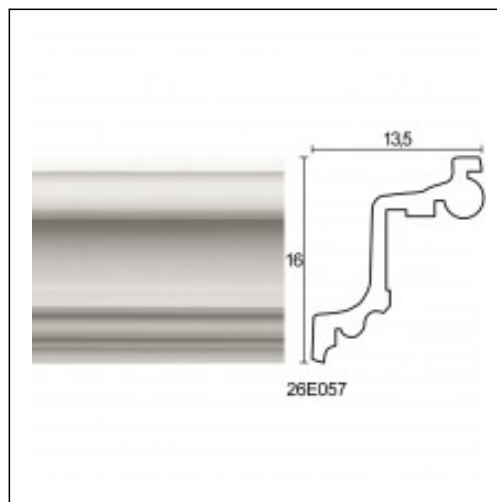
Cat.No. 26.E.057

Large Linear Cornice which can also be used for a composition of gypsum elements. Mainly combined with panels of 6cm.

**Width:** 13.5 cm.

**Length:** 225 cm.

**Height:** 16 cm.



### RELATIVE PRODUCT PHOTOS

