

## Ribbed panels / Icarian

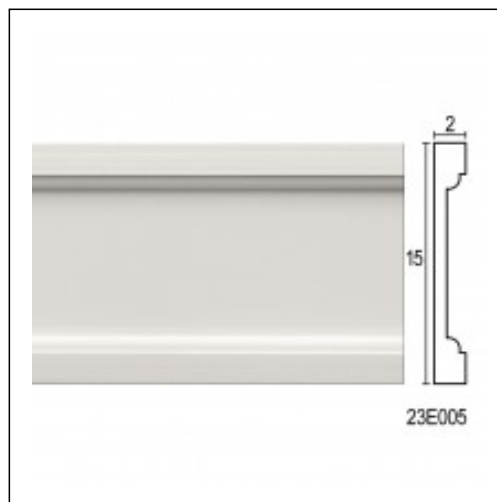
Cat.No. 23.E.005

Dado

**Width:** 2 cm.

**Length:** 150 cm.

**Height:** 15 cm.



## RELATIVE PRODUCT PHOTOS

