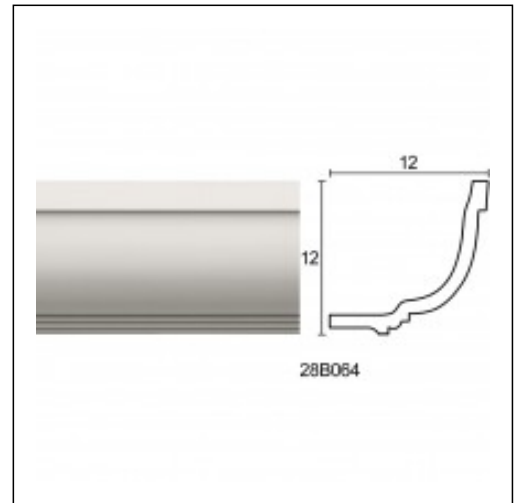


Linear Hidden Lighting / Vladimir

Cat.No. 28.B.064

Linear hidden lighting

Length: 225 cm.**Depth:** 12 cm.**Height:** 11.5 cm.

RELATIVE PRODUCT PHOTOS

