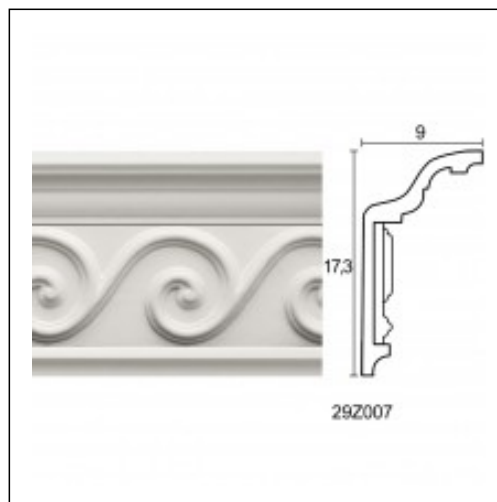


Glyphic Cornices / Snail

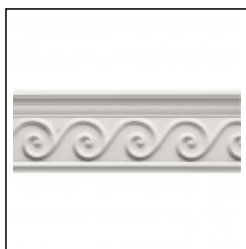
Cat.No. 29.Z.007

Glyphic cornices

Width: 9 cm.
Length: 225 cm.
Height: 17.3 cm.



RELATIVE PRODUCT PHOTOS



RELATIVE PRODUCTS



Snail
 Glyphic Ceiling Roses
 Cat.No.