

## Glyphic Hidden Lighting / Lighting C1

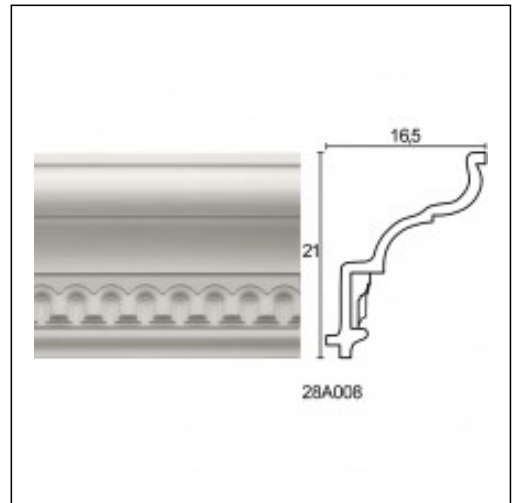
Cat.No. 28.A.008

Glyphic hidden lighting

**Length:** 225 cm.

**Depth:** 16.5 cm.

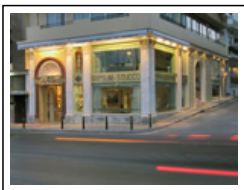
**Height:** 21 cm.



### RELATIVE PRODUCT PHOTOS



### RELATIVE WORKS



A.Grapas LTD - Head Offices  
Offices/Stores  
Apr '02