

Panneaux / Double Cretan

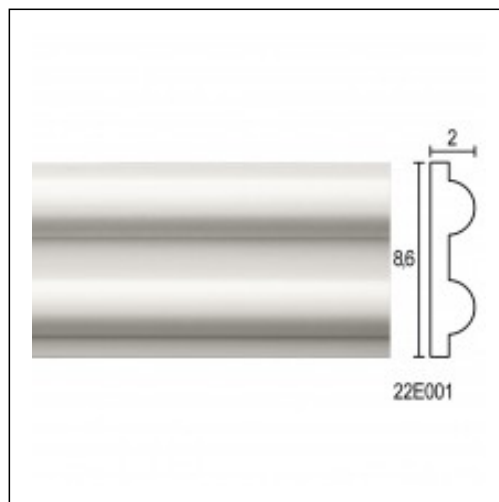
Cat.No. 22.E.001

Linear Panneaux

Length: 150 cm.

Depth: 2 cm.

Height: 8.5 cm.



RELATIVE PRODUCT PHOTOS

