

Ribbed panels / Icarian

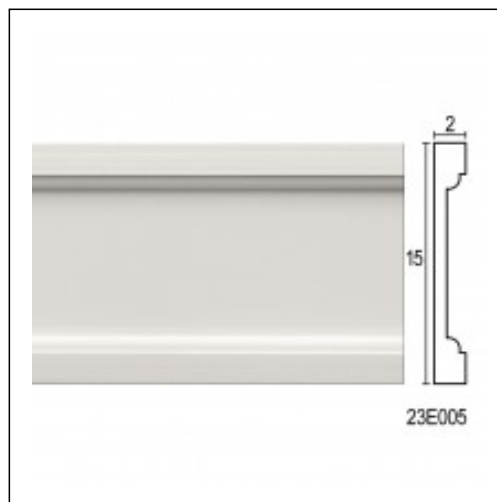
Cat.No. 23.E.005

Dado

Width: 2 cm.

Length: 150 cm.

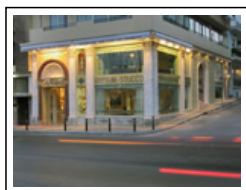
Height: 15 cm.



RELATIVE PRODUCT PHOTOS



RELATIVE WORKS



A. Grapsas LTD - Head Offices
Offices/Stores
Apr '02