

Capitals / Leaves

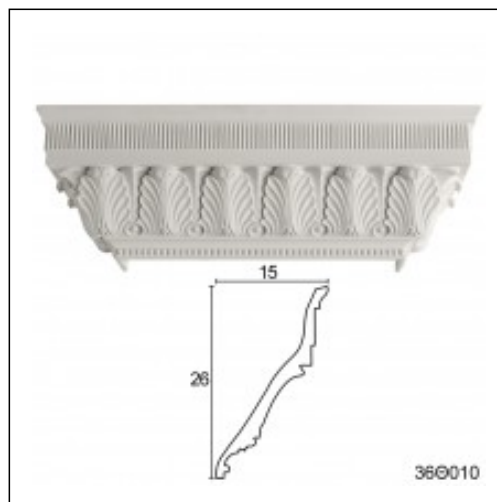
Cat.No. 36.U.010

Capital in meters

Length: 225 cm.

Depth: 15 cm.

Height: 26 cm.



RELATIVE PRODUCT PHOTOS

