

Capitals / Olives

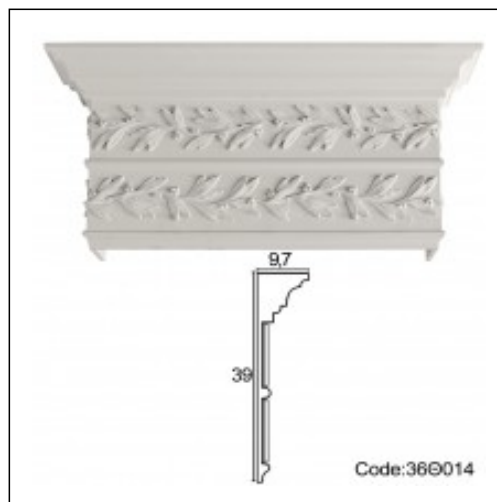
Cat.No. 36.U.014

Capital in meters

Length: 225 cm.

Depth: 9.7 cm.

Height: 39 cm.



RELATIVE PRODUCT PHOTOS

