

Panneaux / Semicircle National Theater

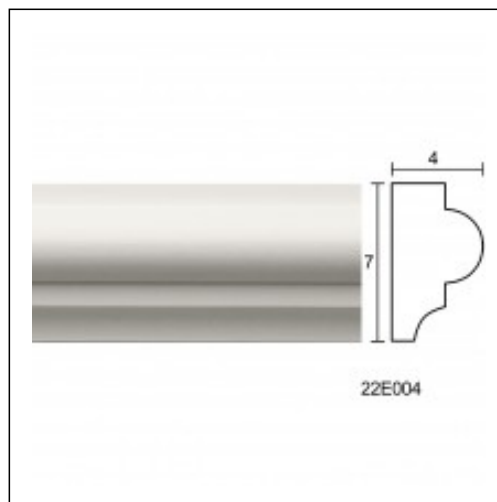
Cat.No. 22.E.004

Linear Panneaux

**Length:** 150 cm.

**Depth:** 4 cm.

**Height:** 7 cm.



RELATIVE PRODUCT PHOTOS

