

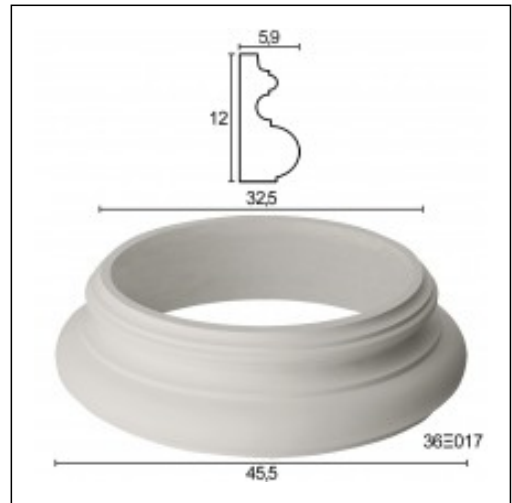
Bases / Hydrangea

Cat.No. 36.X.017

Bases Round

Depth: 5.9 cm.

Height: 12 cm.



RELATIVE PRODUCTS



Columns
Cat.No.