

## Linear Hidden Lighting / Socket Grapsas Office

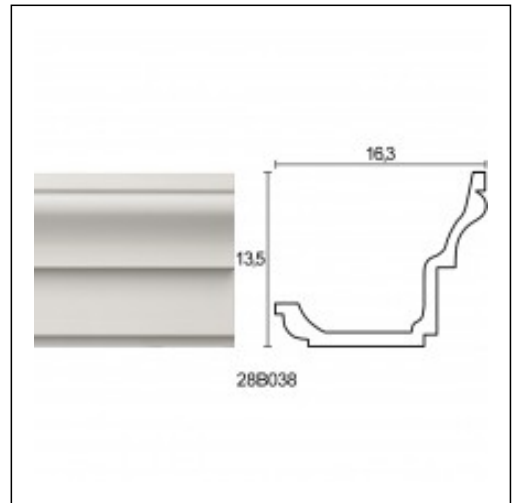
Cat.No. 28.B.038

Linear hidden lighting

**Length:** 225 cm.

**Depth:** 16.3 cm.

**Height:** 13.5 cm.



### RELATIVE PRODUCT PHOTOS

