

Glyphic Hidden Lighting / Lighting C2

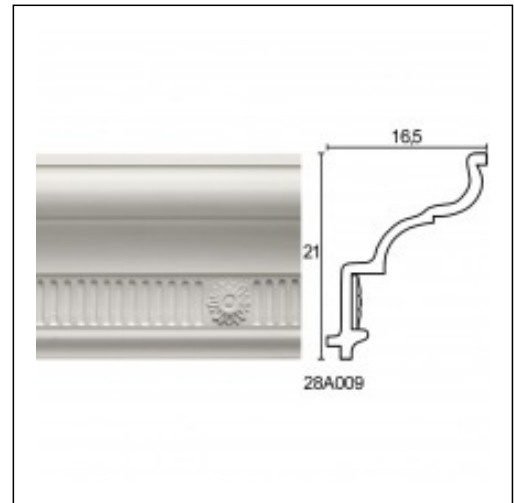
Cat.No. 28.A.009

Glyphic hidden lighting

Length: 225 cm.

Depth: 16.5 cm.

Height: 21 cm.



RELATIVE PRODUCT PHOTOS

