

Panneaux / Semicircle National Theater

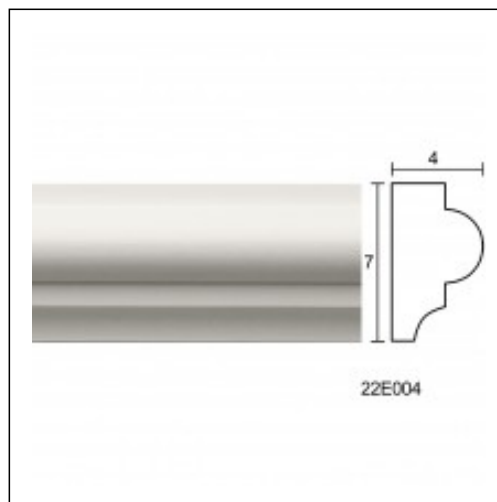
Cat.No. 22.E.004

Linear Panneaux

Length: 150 cm.

Depth: 4 cm.

Height: 7 cm.



RELATIVE PRODUCT PHOTOS

