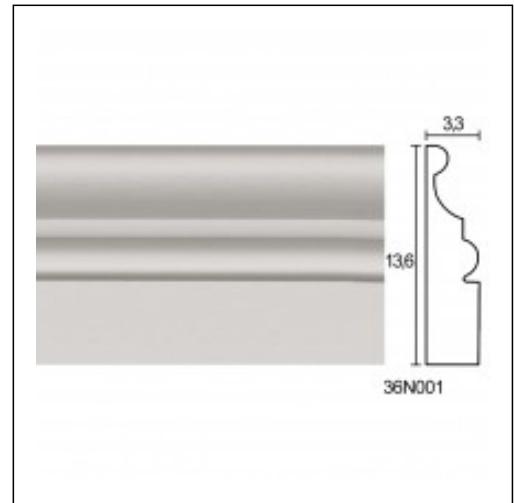


Bases / Mornos

Cat.No. 36.N.001

Bases of Pilaster

Length: 225 cm.**Depth:** 3.3 cm.**Height:** 13.6 cm.

RELATIVE PRODUCT PHOTOS

