

Capitals / Alexandria

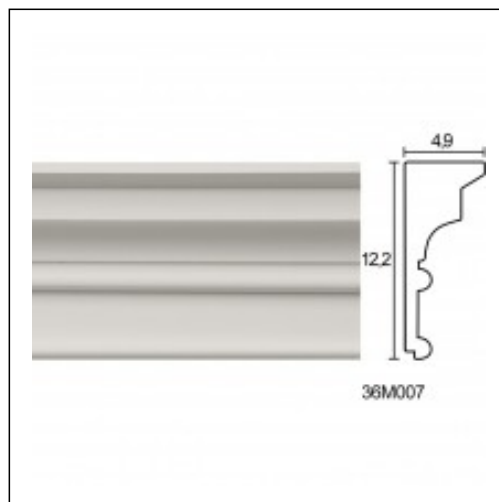
Cat.No. 36.M.007

Capitals of Pilaster form

Length: 225 cm.

Depth: 4.9 cm.

Height: 12.2 cm.



RELATIVE PRODUCT PHOTOS

